

PowerMax-Pro Sensors

100 mW to 150 W

PowerMax-Pro (Patent #9,012,848) represents a dramatic technological advancement in laser power sensing that combines the broad wavelength sensitivity, dynamic range and laser damage resistance of a thermopile with the response speed of a semiconductor photodiode.

Coherent has invented a novel, thin-film technology to create a device which rapidly senses thermal changes due to incident laser energy. Unlike traditional thermopile detectors, in these new PowerMax-Pro sensors, heat flows vertically through a film which is only microns thick, rather than radially to the edge of the device over a distance of several centimeters. The result is a measurement response time below 10 μ s, as compared to over 1 second for traditional thermopiles. Plus, these detectors can operate over a spectral range as broad as 400 nm to 11 μ m, and incorporate a large 30 mm x 30 mm active area.



FEATURES & BENEFITS

- Measures power in tens of microseconds
- High power up to 150 W for HD models and 200 W for BB models
- Supports lasers from Visible to Far-IR wavelengths
- Capable of tracing the individual pulse shape of modulated and long pulse lasers
- Large 30 x 30 mm active area

APPLICATIONS

- Laser Processing including Cutting, Drilling, and Welding
- Medical Systems including Long Pulse Aesthetic applications
- Diode LIV Testing - increase resolution and shorten test time
- Scientific and Engineering
- Production and QA Testing



| SPECIFICATIONS | PowerMax-Pro 150 BB | PowerMax-Pro 150 HD | PowerMax-Pro 150 BB Nano ¹ | PowerMax-Pro 150 HD Nano ¹ |
|--|-----------------------------------|---|---------------------------------------|---|
| Wavelength Range ² | 400 nm to 11 μ m | 400 nm to 1100 nm; 9 μ m to 11 μ m | 400 nm to 11 μ m | 400 nm to 1100 nm; 9 μ m to 11 μ m |
| Power Range for Continuous Usage Water-cooled ³ Air-cooled | 100 mW to 150 W 100 mW to 17 W | | | |
| Maximum Peak Power (W) (use for >1 μ sec pulses up to CW) | 170 | 170 | 200 ⁴ | 200 ⁴ |
| Maximum Intermittent Power (W) (<5 min.) | 65 (air-cooled) | | | |
| Noise Equivalent Power (mW) Standard Mode High Speed Mode Snapshot Mode | <1 <4 <9 | | | |
| Maximum Power Density (kW/cm ²) | 0.2 (150 W) | | | |
| Maximum Peak Power Density (kW/cm ²) | 14 | | | |
| Maximum Energy Density (mJ/cm ²) | 33 (10 ns; 1064 nm) | | | |
| Rise & Fall Time (μ s) | \leq 50 | \leq 10 | \leq 350 | \leq 350 |
| Detector Coating | BB | HD | BB | HD |
| Active Area (mm) | 30 x 30 | | | |
| Minimum Beam Size (mm) | 2.0 (1.0 mm - up to 3% error) | | | |
| Calibration Uncertainty (%) (k=2) | \pm 2 | | | |
| Power Linearity (%) | \pm 3 | | | |
| Spectral Compensation Accuracy (%) | \pm 3 | | | |
| Spatial Uniformity (%) (center 75% of aperture; 2.5 mm beam) | \pm 5 | | | |
| Calibration Wavelength (nm) | 810 | | | |
| Cooling Method | Water/Air (intermittent) | | | |
| Cable Type | DB25 | | | |
| Cable Length | 2.5 m (8.2 ft.) | | | |
| Part Number | 1323849 | 1266709 | 1325550 | 1325549 |

¹ Choose a "Nano" model PowerMax-Pro sensor when measuring the average power of industrial short pulsed (nanosecond and picosecond) lasers. The amplifier in the "Nano" is adjusted to account for the high peak impulse powers associated with those types of lasers. Lasers of this type within the Coherent portfolio include the Matrix QS, Avia NX, Flare NX, Helios (the regular "HD" models are not appropriate for these short pulsed, high energy lasers).

² Contact Coherent for 355nm usage guidelines.

³ Water flow rate for water-cooled sensors must be >0.5 GPM (>2 LPM).

⁴ For pulses shorter than 1 μ sec, use the maximum pulse energy density and average power specifications instead of peak power.

| SPECIFICATIONS | PowerMax-Pro 150F BB | PowerMax-Pro 150F HD | PowerMax-Pro 150F Nano ¹ |
|--|-------------------------|-------------------------------------|--|
| Wavelength Range ² | 400 nm to 11 μm | 400 nm to 1100 nm; 9 μm to 11 μm | 400 nm to 1100 nm; 9 μm to 11 μm |
| Power Range for Continuous Usage Water-cooled ³ Air-cooled | | - 100 mW to 150 W | |
| Maximum Peak Power (W) (use for >1 μsec pulses up to CW) | 170 | 170 | 200 ⁴ |
| Maximum Intermittent Power (W) (<5 min.) | | 150 (maximum) | |
| Noise Equivalent Power (mW) Standard Mode High Speed Mode Snapshot Mode | | <1 <4 <9 | |
| Maximum Power Density (kW/cm ²) | | 0.2 (150 W) | |
| Maximum Peak Power Density (kW/cm ²) | | 14 | |
| Maximum Energy Density (mJ/cm ²) | | 33 (10 ns; 1064 nm) | |
| Rise & Fall Time (μs) | ≤50 | ≤10 | ≤350 |
| Detector Coating | BB | HD | HD |
| Active Area (mm) | | 30 x 30 | |
| Minimum Beam Size (mm) | | 2.0 (1.0 mm - up to 3% error) | |
| Calibration Uncertainty (%) (k=2) | | ±2 | |
| Power Linearity (%) | | ±3 | |
| Spectral Compensation Accuracy (%) | | ±3 | |
| Spatial Uniformity (%) (center 75% of aperture; 2.5 mm beam) | | ±5 | |
| Calibration Wavelength (nm) | | 810 | |
| Cooling Method | | Fan | |
| Cable Type | | DB25 | |
| Cable Length | | 2.5 m (8.2 ft.) | |
| Part Number | 1323848 | 1266708 | 1331019 |

¹ Choose a "Nano" model PowerMax-Pro sensor when measuring the average power of industrial short pulsed (nanosecond and picosecond) lasers. The amplifier in the "Nano" is adjusted to account for the high peak impulse powers associated with those types of lasers. Lasers of this type within the Coherent portfolio include the Matrix QS, Avia NX, Flare NX, Helios (the regular "HD" models are not appropriate for these short pulsed, high energy lasers).

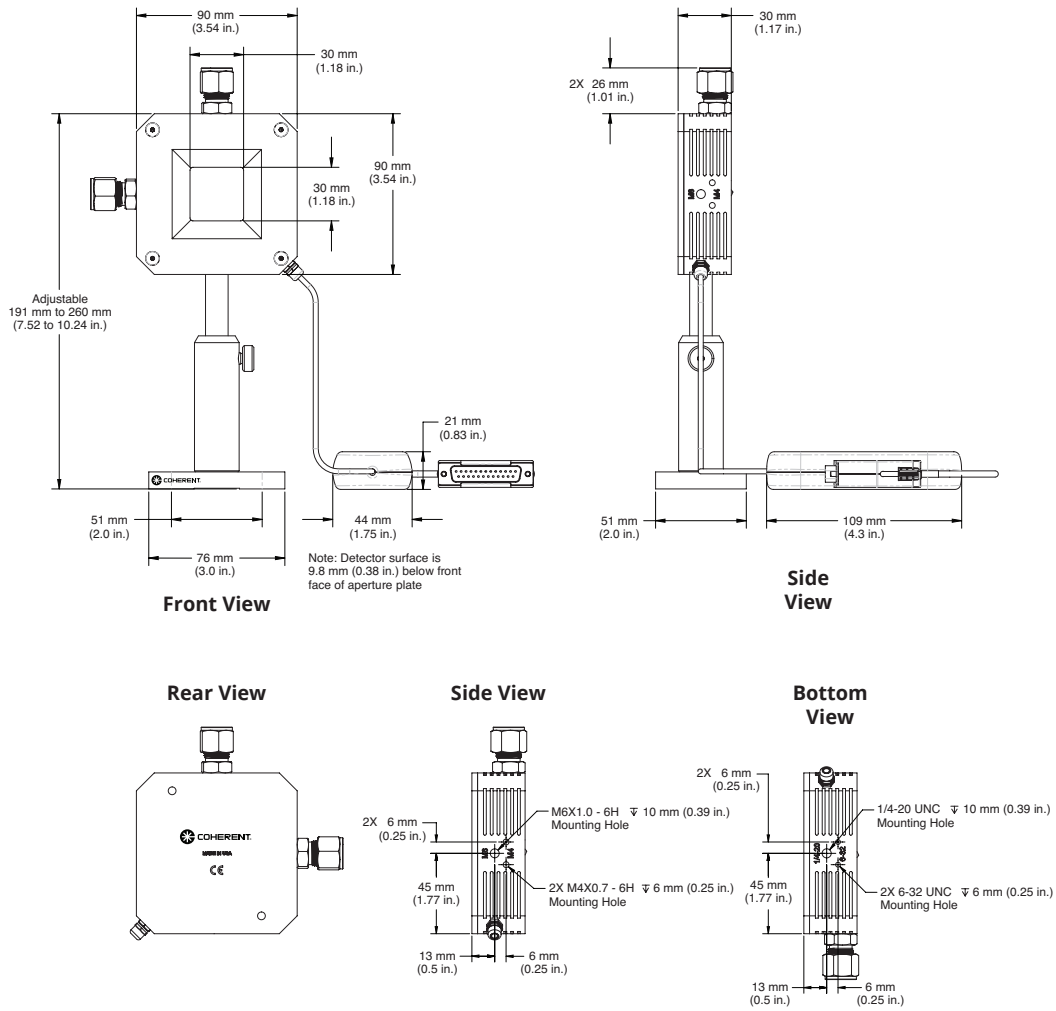
² Contact Coherent for 355nm usage guidelines.

³ Water flow rate for water-cooled sensors must be >0.5 GPM (>2 LPM).

⁴ For pulses shorter than 1 μsec, use the maximum pulse energy density and average power specifications instead of peak power.

MECHANICAL SPECIFICATIONS

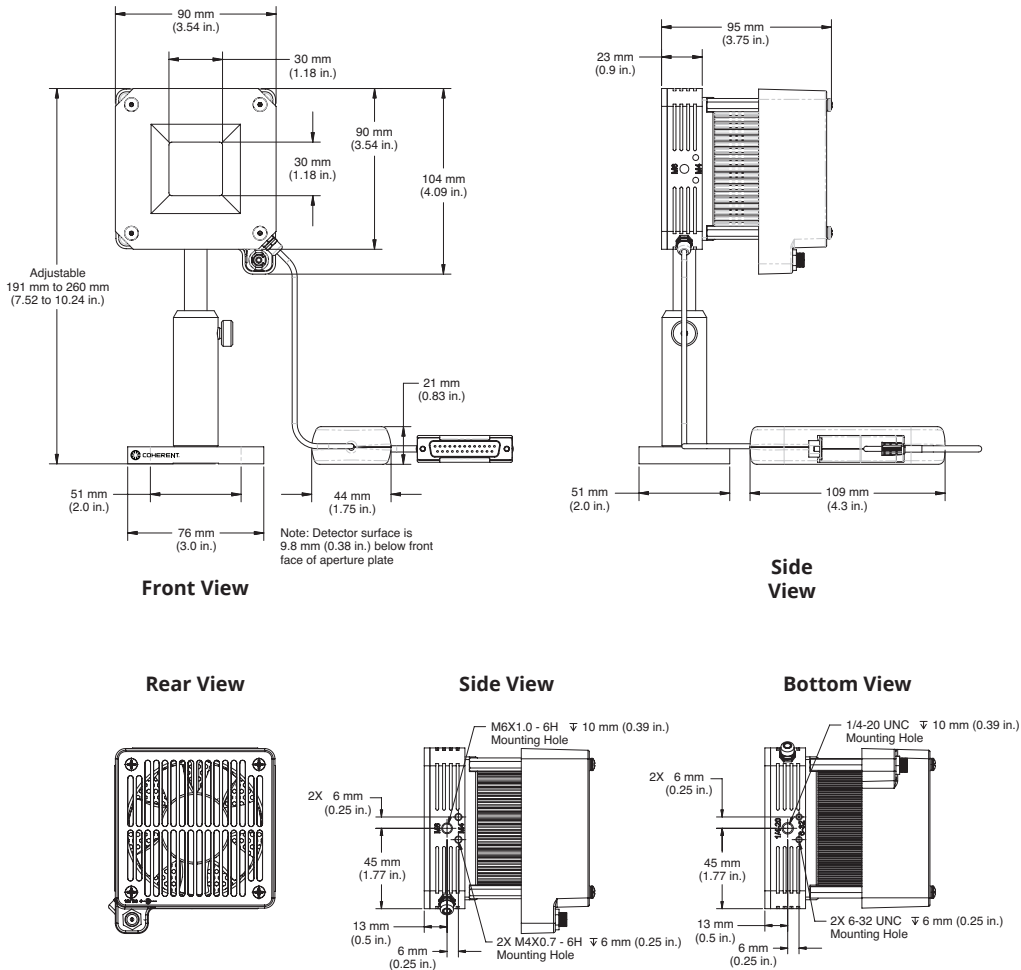
PowerMax-Pro 150 HD and BB





MECHANICAL SPECIFICATIONS

PowerMax-Pro 150F HD and BB



Coherent, Inc.,
5100 Patrick Henry Drive Santa Clara, CA 95054
p. (800) 527-3786 | (408) 764-4983
f. (408) 764-4646

tech.sales@Coherent.com www.coherent.com

Coherent follows a policy of continuous product improvement. Specifications are subject to change without notice. Coherent's scientific and industrial lasers are certified to comply with the Federal Regulations (21 CFR Subchapter J) as administered by the Center for Devices and Radiological Health on all systems ordered for shipment after August 2, 1976.

Coherent offers a limited warranty for all PowerMax-Pro Sensors. For full details of this warranty coverage, please refer to the Service section at www.Coherent.com or contact your local Sales or Service Representative. Printed in the U.S.A. MC-002-14-0M0318Rev.E Copyright ©2018 Coherent, Inc.